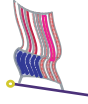


FULLY HYDRAULIC BOOM FUNCTION
 POWER BOOMING - 70 DEGREES
 EASY FULL BEARING ROTATION
 12V OR 24V WINCHING OPERATION

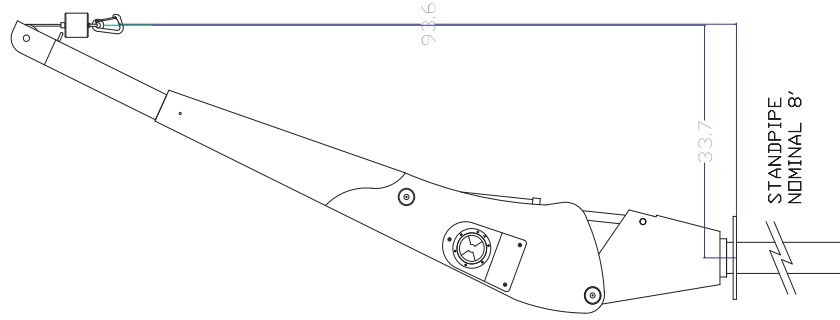
Nick Jackson Co. Ph. 425-481-1381 Fax 882-2054
 Quality Yacht Davits World Wide Nickjacksonco.com - e-NJCDavits@aol.com
 17725 NE 65th St. Suite A-175 Redmond WA. 98052

1500# LOW PROFILE - 1500LPHB
 HYDRAULIC BOOMING

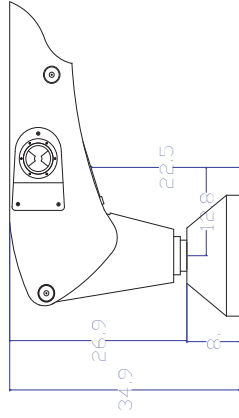


JAN 02

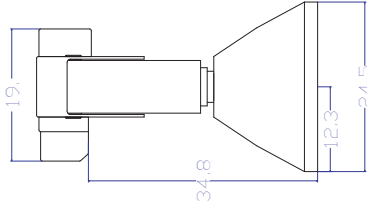
PYRAMID MODELS



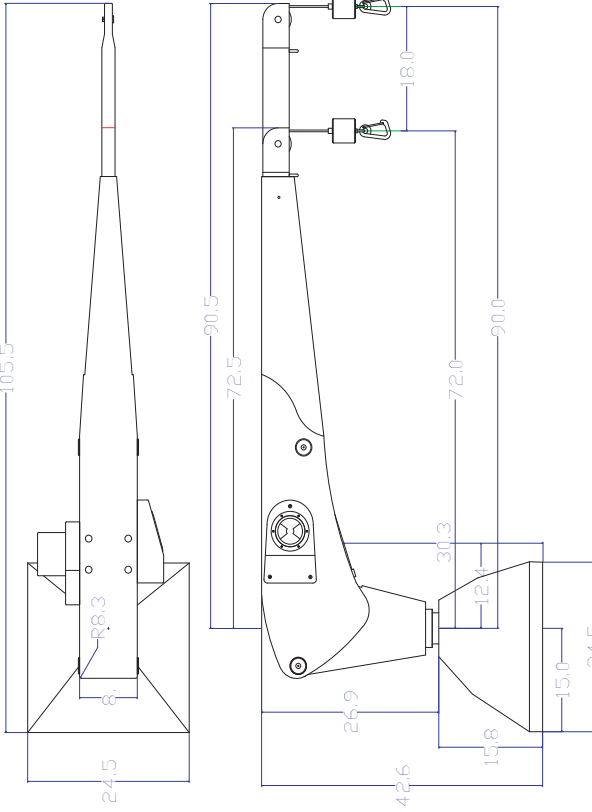
STANDPIPE
 NOMINAL 8"



PYRAMID WITHOUT
 INTERNAL POWERPACK

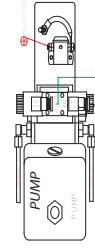


PYRAMID WITH
 INTERNAL POWERPACK

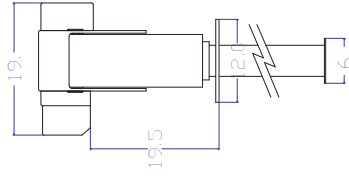


STANDPIPE MODEL

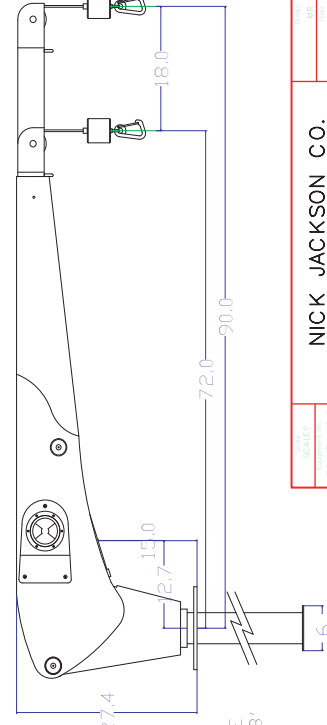
20" L x 10 W" x 10" tall



Uses .8 gallon a minute @ 2800 psi
 Comes w/ stainless hydraulic lines
 12v needs 200 amps of service
 24v needs 150 amps of service



STANDPIPE
 NOMINAL 8"



SCALE	DATE	BY
EQUIP. NO.	DATE	CHKD.
REV. NO.	DATE	CHKD.
NICK JACKSON CO.		
1200# - L.P.H.B.		
DWG		

THE SMOOTHEST AND THE QUIETEST UNIT YOU CAN BUY. HYDRAULIC BOOMING OPERATION. PENDANT MOUNTED.

AS A STANDARD UNIT, THIS COMES IN STANDARD LENGTH OR WE BUILT TO YOUR NEED. . STANDPIPE OR PYRAMID MOUNTED

AS YOU REQUIRE. DIMENSIONAL HEIGHT OF THE UNIT CAN BE LOWERED OR RAISED TO FIT YOUR NEED. 12V OR 24V DC / 115V AC WINCHING.

USES LESS THAN ONE GALLON OF FLUID TO OPERATE. 12V, 24V OR 115VAC. OPERATED BY SEPARATE HYDRAULIC POWER PACK WE SUPPLY.

AUTOCAD DRAWINGS AVAILABLE FOR YOU TO WORK WITH. CALL OR E-mail US FOR YOUR PROJECT. Ph. 425-481-1381 * NJCDAVITS@aol.com

