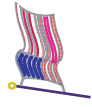
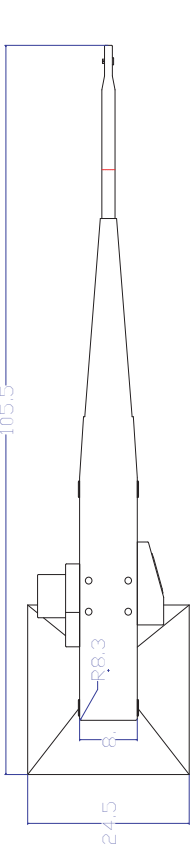


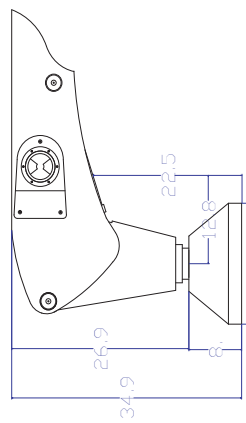
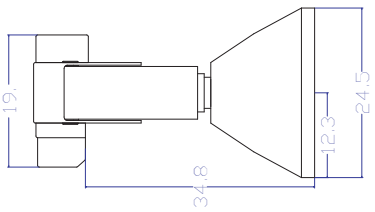
1200# LOW PROFILE HYDRAULIC BOOMING



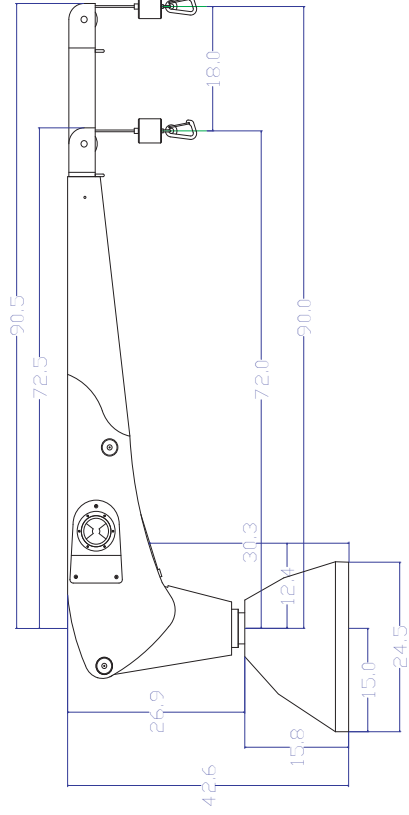
JAN 02



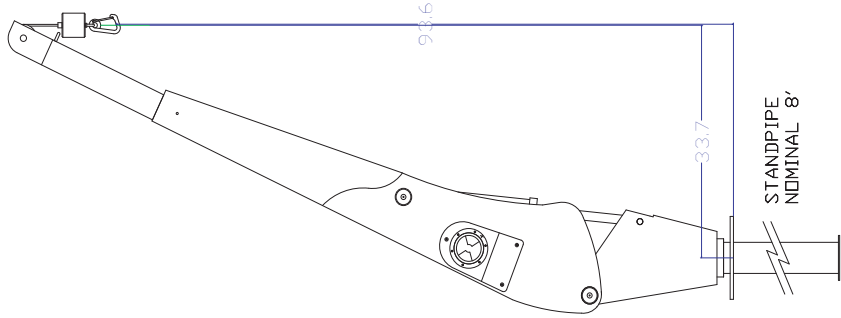
PYRAMID MODELS



PYRAMID WITHOUT INTERNAL POWERPACK

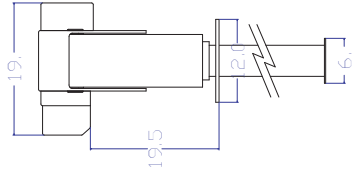


PYRAMID WITH INTERNAL POWERPACK

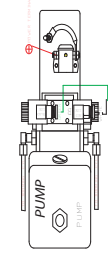


STANDPIPE NOMINAL 8'

STANDPIPE MODEL

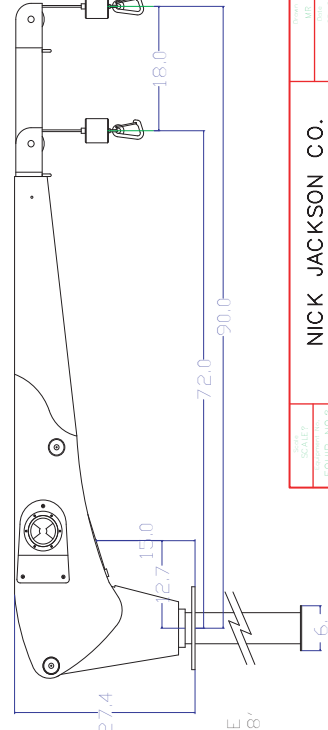


20" L x 10" W x 10" tall



Uses .8 gallon a minute @ 2800 psi
 Comes w/ stainless hydraulic lines
 12v needs 200 amps of service
 24v needs 150 amps of service

STANDPIPE NOMINAL 8'



SCALE	1/8" = 1'
EQUIP. NO.	90-100-0
DATE	01-01-02
DESIGNER	NICK JACKSON CO.
DRAWN BY	1200# - L.P.H.B.
CHECKED BY	
DATE	
PROJECT	
REV.	
BY	
DATE	
DESCRIPTION	DWG

THE SMOOTHEST AND THE QUIETEST UNIT YOU CAN BUY. HYDRAULIC BOOMING OPERATION. PENDANT MOUNTED.

AS A STANDARD UNIT, THIS COMES IN STANDARD LENGTH OR WE BUILT TO YOUR NEED. . STANDPIPE OR PYRAMID MOUNTED
 AS YOU REQUIRE. DIMENSIONAL HEIGHT OF THE UNIT CAN BE LOWERED OR RAISED TO FIT YOUR NEED. 12V OR 24V DC / 115V AC WINCHING.
 USES LESS THAN ONE GALLON OF FLUID TO OPERATE. 12V, 24V OR 115VAC. OPERATED BY SEPARATE HYDRAULIC POWER PACK WE SUPPLY.

AUTOCAD DRAWINGS AVAILABLE FOR YOU TO WORK WITH. CALL OR E-mail US FOR YOUR PROJECT. Ph. 425-481-1381 • NJCDAVITS@aol.com

