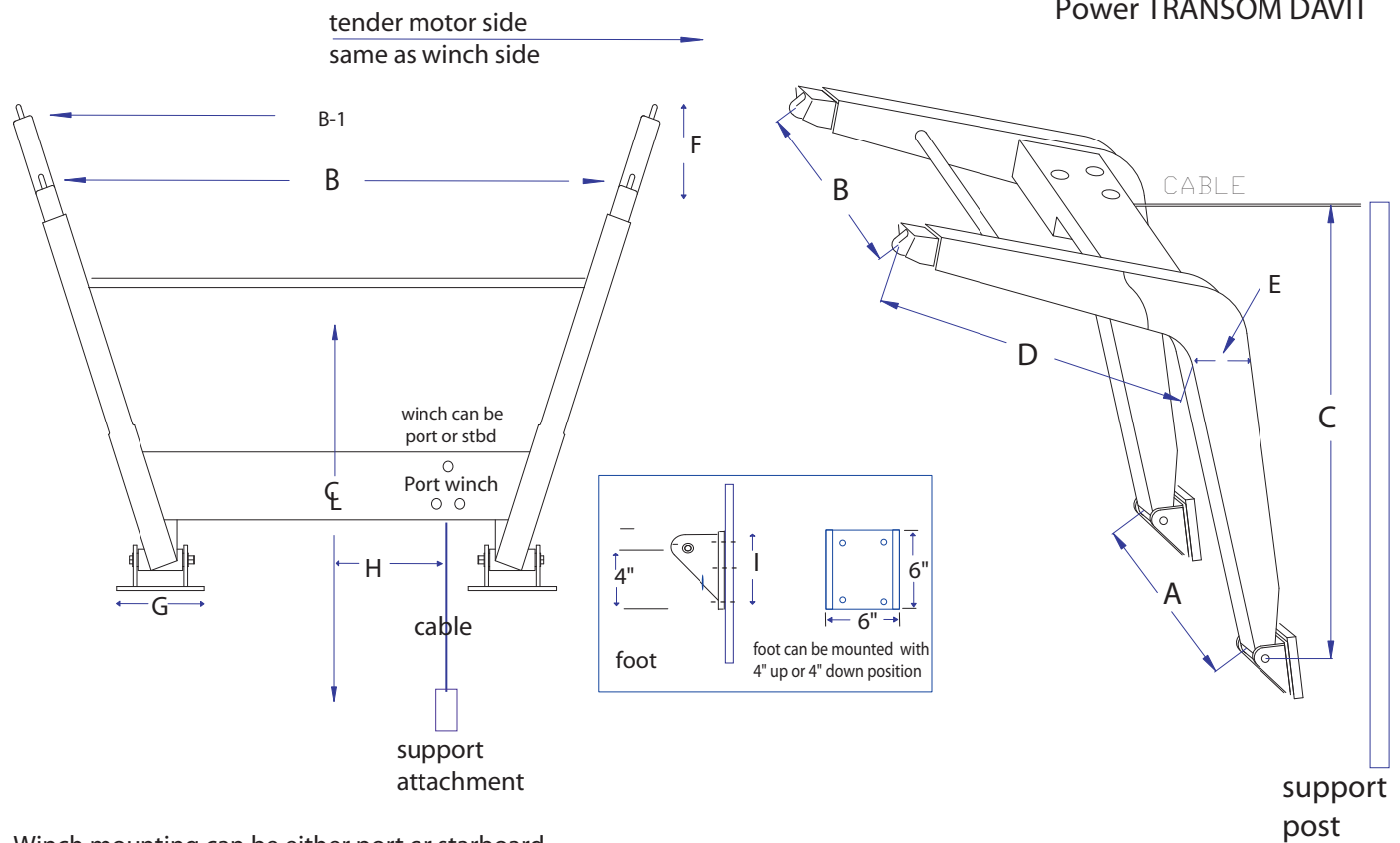


Nick Jackson Co Inc.
Power TRANSOM DAVIT



Winch mounting can be either port or starboard
 C Dimensions for the 500# and 1000# stay the same
 Q Dimensions on the 1200 are both different port and stbd.
 All leg and arm dimensions can be changed to fit a special requirement (s)

Standard Equipment

- * Davit system
- * 12v or 24v Motor internally mounted
- * Port or Starboard location for internal motor
- * Motor cover
- * Remote control pendant w/ 9' lead
- * Directional solenoids for motor
- * Stainless steel high polished extendable noses (retracts or extends for various tender widths)
- * 1/4" "Amsteel" synthetic rope for winch
- * Davit feet and backing plates
- * Bearing plastic at pivotal contact points
- * 3 part tough Linear Polyurethane match paint
- * Height, width, or reach can be modified for you

TECHNICAL	1200#	1000#	500#
Body	5086 Aluminum	" "	" "
Noses	Polished stainless	" "	" "
Amps 12 vdc	120	120	80
Amps 24 vdc	80	100	80
Cable	1/4" Amsteel	" "	" "
Paint	3 part Linear polyurathane	3 part Linear polyurathane	3 part Linear polyurathane
Weight	130 lbs	110 lbs	95lbs
DIMENSIONAL			
Feet size	6" x 6"	same	same
Feet holes	4 each	same	same
Nose extends	8"	8"	7"

	dimensions in inches								
	A	B	C	D	E	F	G	H	I
1200# Transom	38	B-1 65 62	46	32 min 39 max	7	7	9	port winch 9.5" stbd winch 11"	6
1000# Transom	36	B-1 63 60	40	30 min 37 max	7	7	9	14	6
500# Transom	34	B-1 59 56	38	28 min 35 max	5	7	9	13.5	6

Nick Jackson Co. Inc.
 17725 NE 65th Suite A 110
 Redmond WA 98052
 P 425 481 1381
 www.nickjacksonco.com Info@nickjacksonco.com

All of our units have highly polished stainless extendable noses
 Dimensions may change at any time