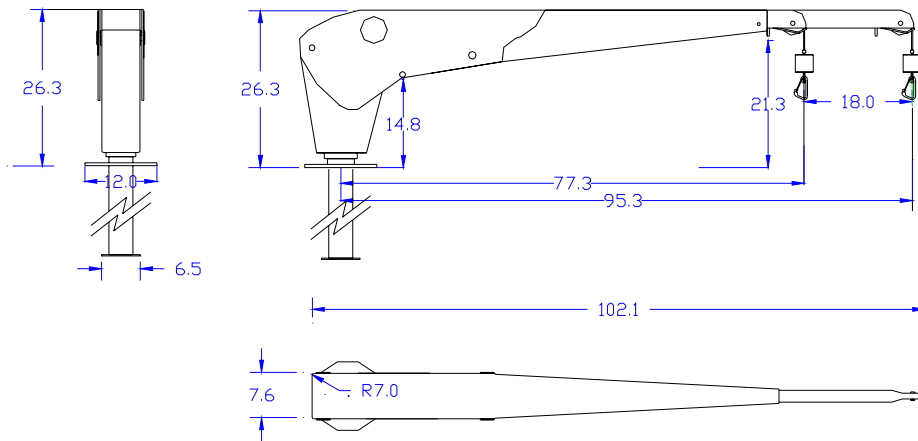
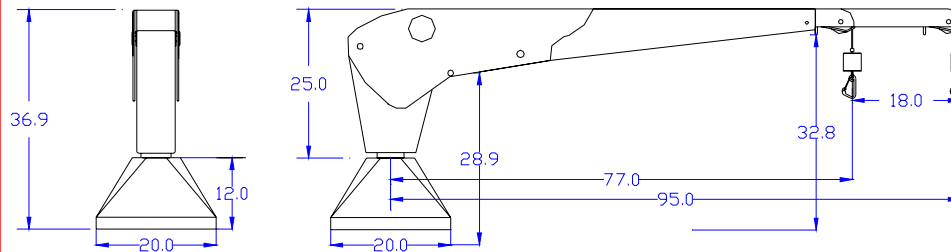


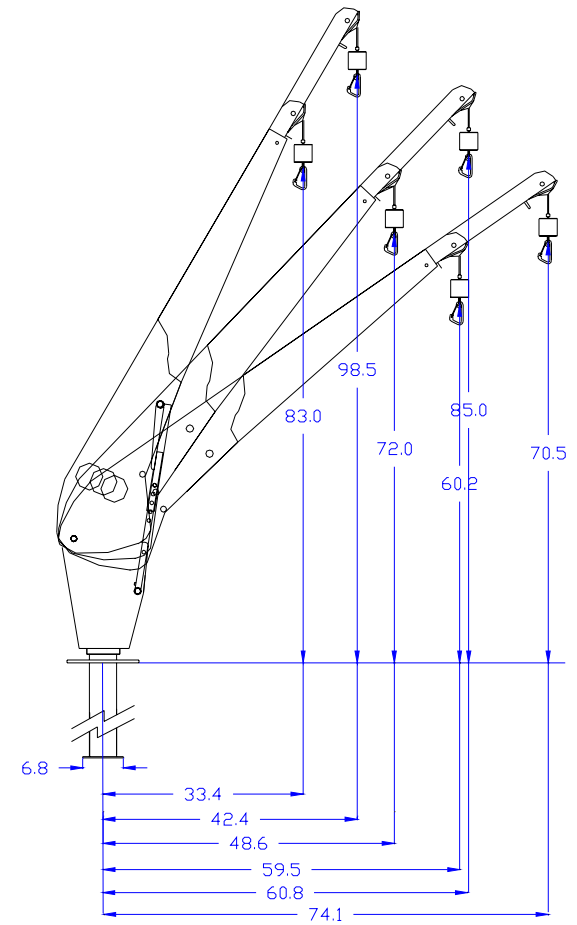
LOW PROFILE SLIM LINE



STANDPIPE MODEL SHOWN



PYRAMID MODEL SHOWN



Scale SCALE?	NICK JACKSON CO.	Drawn MJC
Equipment No. EQUIP_NO.?		Date 01-04-05
WO_No.?	Drawing Title 1000#-L.P.F.H.B	Drawing No. DWG-1

FEATURES:

- 12v - 24v or 115 AC motor drive.
- Remote control pendant operated.
- Stainless steel polished extendable nose
- Composite cable that is stronger than Stainless

- Stainless steel polished weight
- Stainless steel polished hook
- Variable reach positions
- Easy manual rotation with bearings

Paint to match -3 part Linear Polyurethane