

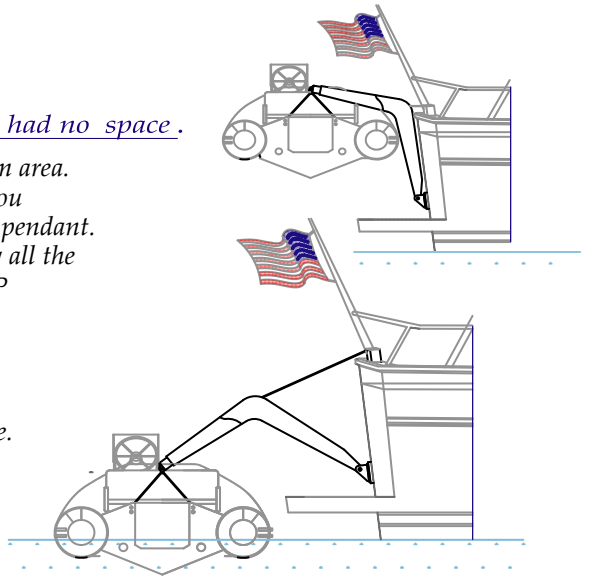
Power Transom Davit

- Nick Jackson Co. has the system for that tender you wanted, but had no space .

Its easy to use, saves you valuable deck space, and mounts onto your aft transom area. It stores your tender UP and OUT of the water HORIZONTALLY, and also lets you LAUNCH and RETRIEVE with ease in seconds using a hand held remote control pendant. Some systems have the tender parked down low onto the swimstep, very close by all the water's action. Not ours. Keep your tender away from the water, safely high UP

*With our internal motor mounted **inside** of the main cross arm, the davit pivots on its legs, **downward** and **outward** as it launches your tender into the water. Usual launch is 12 seconds. Unsnap one hook from each arm, and you're off. Come back, re-hook to each arm, lift up and lock away your tender until later use. Stores tenders HORIZONTALLY. No need to remove supplies from the tender.*

- We have 3 basic sizes to choose from. 500#, 1000#, and 1200#.
- Special heavier units to 2000# available for that heavier installation.



1000# system



1000# system

- Here are some benefits to owning your *Nick Jackson Co. POWER TRANSOM DAVIT*



1200# system

- Installs on many different yachts.
- **Installs while yacht is in water**
- Launches & retrieves in seconds
- **Remote pendant,- 12 second launch**
- Stow your tender horizontally
- **Secure your tender UP from the water**
- Change tenders later and keep the same
- Easier to launch than a top davit
- Internally mounted motor
- **12 or 24v motor operated**
- **5000 Marine grade aluminum**
- 3 part linear Polyurethan paint to match
- Special modifications available.

- Nick Jackson Co.
The best solutions in Davit systems

Nick Jackson Co. Inc.
17725 NE 65th St. Suite A-175
Redmond WA 98052
Ph 425 481 1381 Fx 425 882 2054
www.nickjacksonco.com e- njcdavits@aol.com