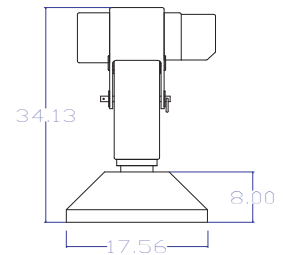
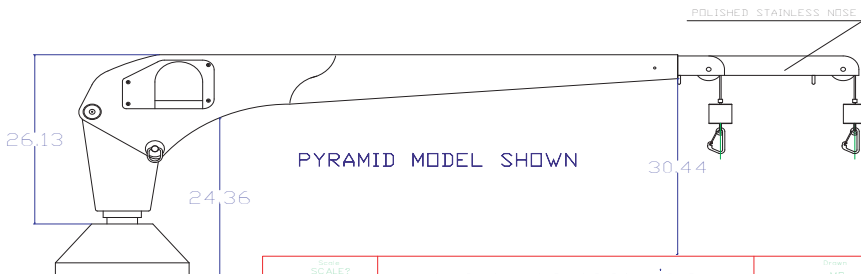
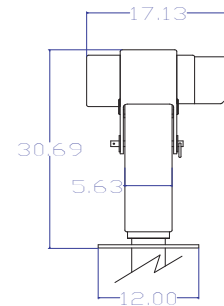
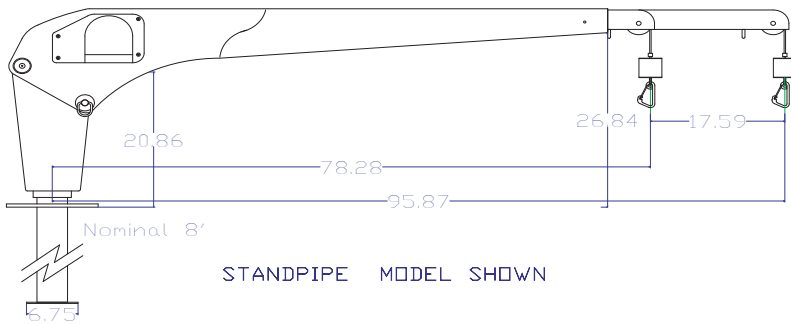
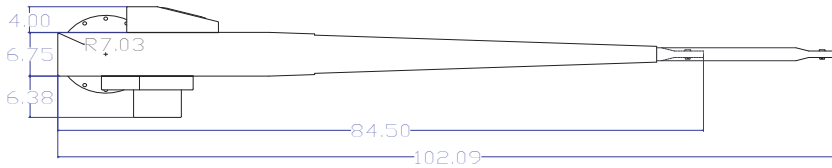
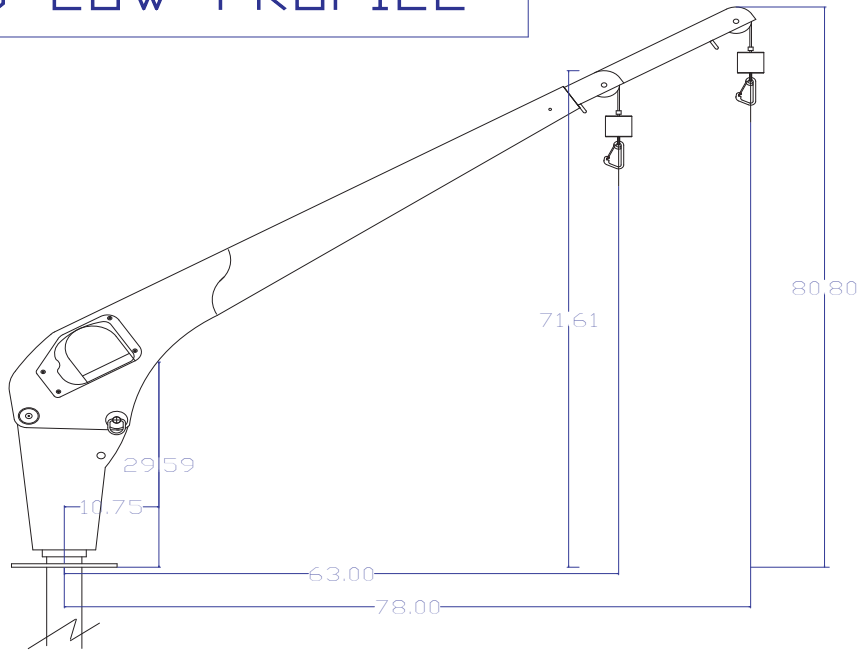


800 LOW PROFILE

The 800 Low Profile Jan 02



SCALE	NICK JACKSON CO.	Sheet
Equipment No.		MR
EQUIP_NO.?		05-01
WO No.	800#-L.P.	Date
WO_NO.?		DWG

Recommended for tenders in the 11 1/2" -12' range that weigh less than 800 lbs.. Some tenders tend to weigh more in this sizing, and you should always know how much your completed weight of tender will be. We recommend total tender weight be no more than 80% of the davit capacity for use.

Full roller bearings. All stainless cable, weight, and hook. Remote controlled by a hand held pendant and match painting is standard. We can modify the davit to meet your requirement of use, location, height, and length.

Standpipe or pyramid models available.

With our experience of many custom fabrications, we can meet many of the different situations of installation.

Some davit manufactures mount their electric motors vertical inside of the davits for that flatter look. **We don't** This is against the motor manufacturer's recommended installation guide of preferred horizontal mounting.

Horizontal cabling tracks better to the winch drum.

Vertical mounting can also cause the cable to mistrack, by "falling down" during use of operation and be prone to damage and or binding.

Motor can be reverse mounted on the davit.

Power rotation and or power booming functions available.

some dimensions may change without notice

STANDPIPE LENGTH : nominal 8' from top deck to next lower level
 ELECTRICAL REQUIREMENT : 12v power- 100 amps. 24v power- 100 amps
 WEIGHT OF UNIT : complete davit - 195lbs. shipping wt. 275lbs

MATERIAL: 5086 Marine grade aluminum
 PROCESS: Faired, acid etch, alodine, prime, 3 part LP
 FASTENERS: All stainless steel