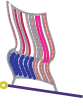
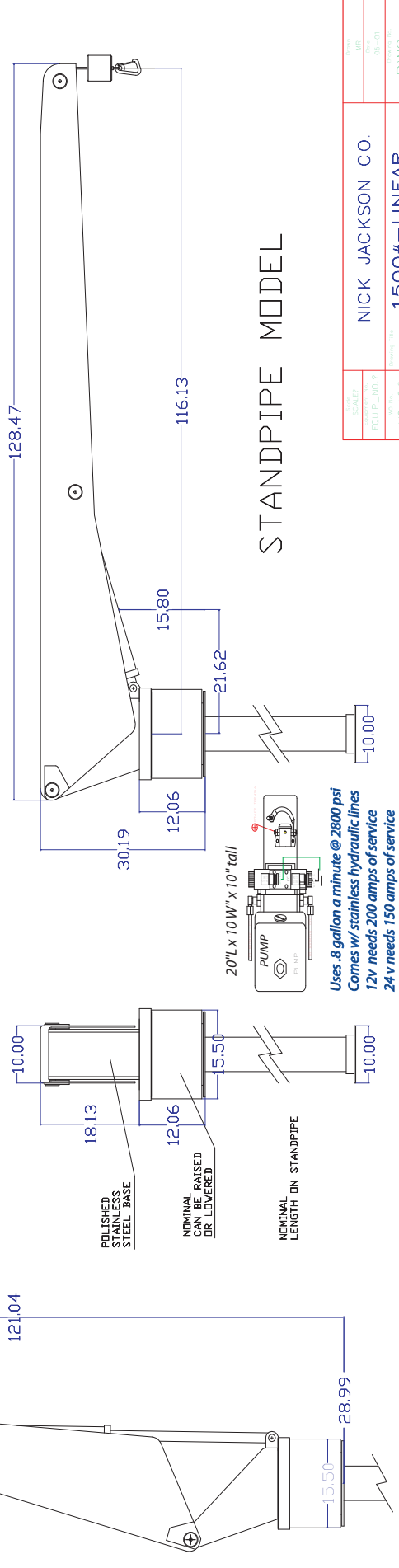
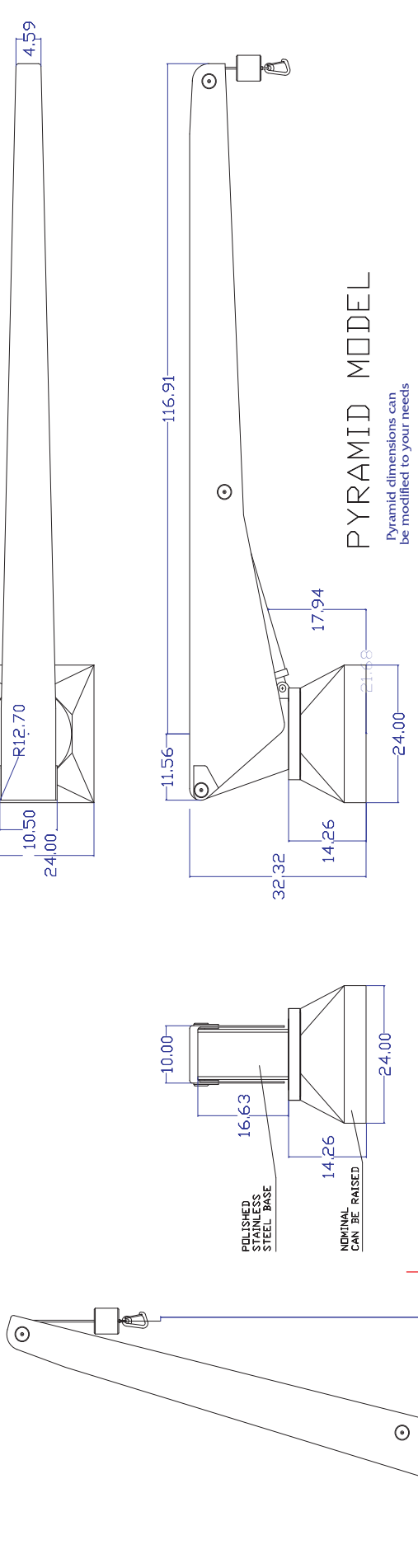


FULLY HYDRAULIC ON ALL FUNCTION
 POWER BOOMING— 70 DEGREES
 POWER ROTATION— 180 OR 360
 LINEAR HOISTING— SMOOTH & QUIET

Nick Jackson Co. Ph. 425-481-1381 Fax 882-2054
 Quality Yacht Davits World Wide Nickjacksonco.com - e-NJCDavits@aol.com
 17725 NE 65th St. Suite A- 175 Redmond WA. 98052

1500#-LINEAR

Jan 02 



2017a	1500#-LINEAR	1500#-LINEAR	DWG
EQUIP_NO.2			
WO_NO.?			

THE SMOOTHEST AND THE QUIETEST UNIT YOU CAN BUY. FULLY HYDRAULIC 3 FUNCTIONS. SILENT OPERATION. PENDANT OPERATED.
 AS A STANDARD UNIT, THIS COMES IN LENGTH OF 9 1/2' OF REACH IN THE DOWN POSITION. STANDPIPE OR PYRAMID MOUNTED
 AS YOU REQUIRE. DIMENSIONAL HEIGHT OF THE UNIT CAN BE LOWERED OR RAISED TO FIT YOUR NEED. CUSTOM CAPABILITY
 USES LESS THAN ONE GALLON OF FLUID TO OPERATE. 12V, 24V OR 115VAC OPERATED BY SEPARATE
 AUTOCAD DRAWINGS AVAILABLE FOR YOU TO WORK WITH. CALL OR E-mail US FOR YOUR PROJECT. Ph. 425-481-1381 * NJCDAVITS@aol.com

