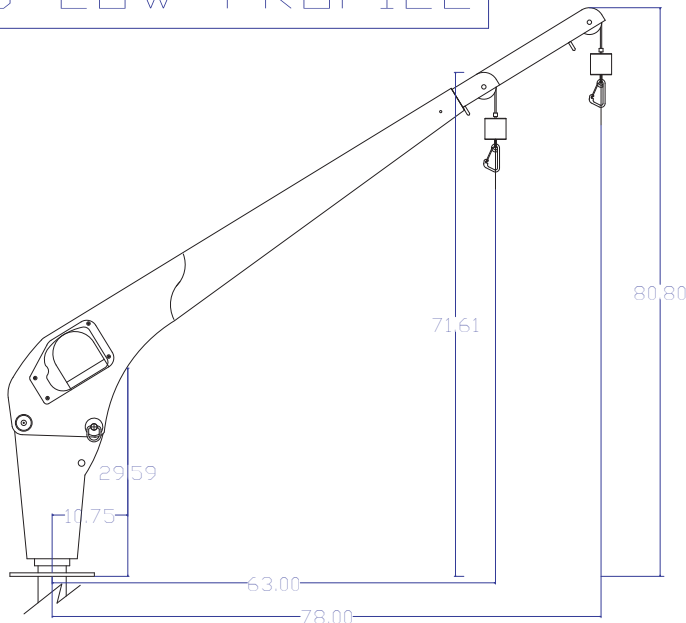


1000 LOW PROFILE

The 1000 # Low Profile

Jan 02



Recommended for tenders in the 11 1/2" -13' range that weigh less than 1000 lbs.. Some tenders tend to weigh more in this sizeing, and you should always know how much your completed weight of tender will be. We recommend completed total tender weight be no more than 80% of davit capacity

Full roller bearings. All stainless cable, weight, and hook. Remote controlled by a hand held pendant and match painting is standard. We can modify the davit to meet your requirement of use, location, heigth, and length.

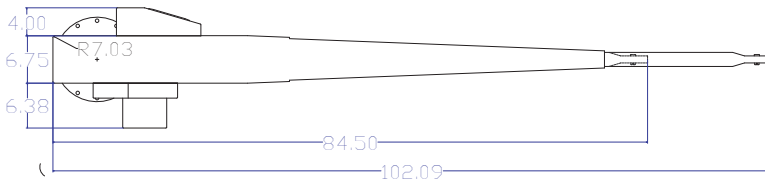
Standpipe or pyramid models available.

With our experience of many custom fabrications, we can meet many of the different situations of installation.

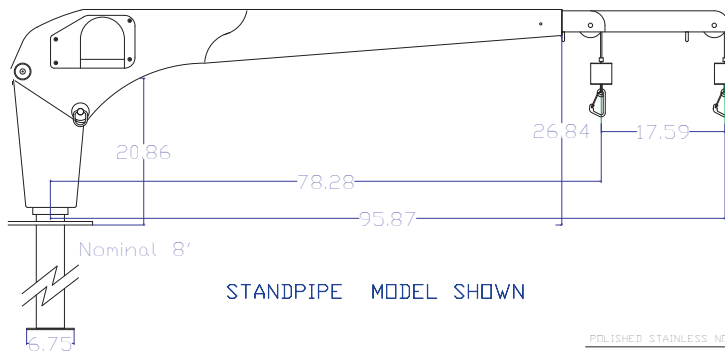
Some davit manufactures mount their electric motors vertical inside of the davits for that flatter look. **We Don't** This is against the motor manufacturer's recommended installation guide of prefered horizontal mounting.

Horizontal cabling tracks better to the winch drum.

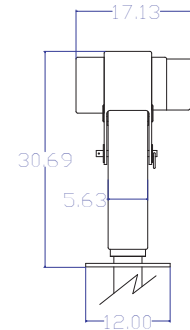
Vertical mounting can also cause the cable to mistrack, by "falling down" during use of operation and be prone to damage and or binding.



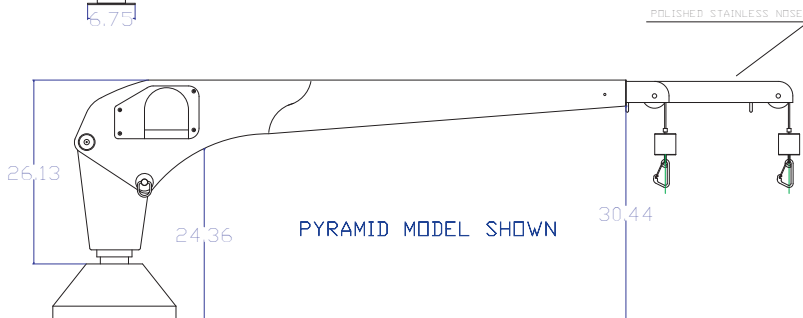
Motor can be reverse mounted on the davit
Power Rotation & or Power Booming
functions also available.



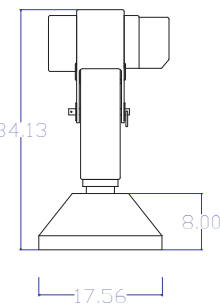
STANDPIPE MODEL SHOWN



some dimensions may change without notice



PYRAMID MODEL SHOWN



SCALE	NICK JACKSON CO.	Drawn
EQUIP_NO.?		MR
WO_NO.?	1000#-L.P.	05-01
		DWG

STANDPIPE LENGTH : nominal 8' from top deck to next lower level
 ELECTRICAL REQUIREMENT : 12v power- 100 amps. 24v power- 100 amps
 WEIGHT OF UNIT : complete davit - 195lbs. shipping wt. 275lbs

MATERIAL: 5086 Marine grade aluminum
 PROCESS: Faired, acid etch, alodine, primed, 3 part LP
 FASTENERS: All stainless steel